

## 用于开漏和推挽应用的2路、4路双向电平转换器

2-Bit, 4-Bit Bidirectional Voltage-Level Translator for Open-Drain and Push-Pull Applications

### FEATURES

- HT0102, 2-Bit; HT0104, 4-Bit
- Bidirectional translator, No Direction-Control Signal Needed
- Data Rates  
24Mbps (Push-Pull); 2Mbps (Open-Drain)
- 1.65V ~ 5.5V on A Port, 2.3V to 5.5V on B Port ( $V_{CCA} \leq V_{CCB}$ )
- VCC Isolation: Either  $V_{CCA}$  or  $V_{CCB}$  is at GND, all ports will be in Hi-Z State
- No Power-Supply Sequencing Required: Either  $V_{CCA}$  or  $V_{CCB}$  can be Ramped First
- HT0102, 2路; HT0104, 4路
- 双向电平转换, 无需方向控制信号
- 最大数据速率  
推拉24Mbps, 开漏2Mbps
- A端口: 1.65V~5.5V电压, B端口: 2.3V~5.5V电压 ( $V_{CCA} \leq V_{CCB}$ )
- VCC隔离: 任一电源拉到地, 则端口呈现高阻态
- 无电源时序要求:  $V_{CCA}$  或  $V_{CCB}$  均可优先斜升

### APPLICATIONS

- I<sup>2</sup>C
- UART
- JTAG
- I<sup>2</sup>C
- GPIO
- SPI
- SMBus
- MDIO

### DESCRIPTION

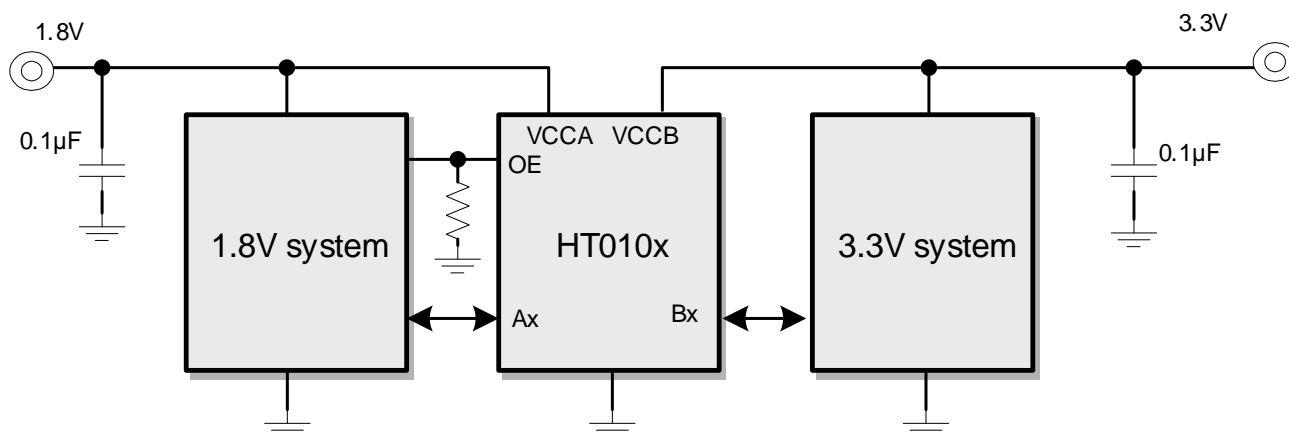
HT0102, HT0104 is a stereo and quad channel bidirectional translator with two separate power supply  $V_{CCA}$  and  $V_{CCB}$ . The low voltage signal present on A port with operating voltage from 1.65V to 5.5V referenced to  $V_{CCA}$ , and the high voltage signal present on B port with operating voltage from 2.3V to 5.5V referenced to  $V_{CCB}$ .

HT010x enters a low current consumption mode with all IOs places in Hi-Z, once the OE pin is pulled low.

HT0102, HT0104是一款2路、4路双向电平转换器, 其使用两个独立的供电 $V_{CCA}$ 和 $V_{CCB}$ 。电压较低的电平信号接入A端口, 支持1.65V~5.5V电压, 其对应 $V_{CCA}$ ; 电压较高的电平信号接入B端口, 支持2.3V~5.5V电压, 其对应 $V_{CCB}$ 。

当OE脚拉低时, HT010x进入低功耗模式, 所用IO进入高阻状态。

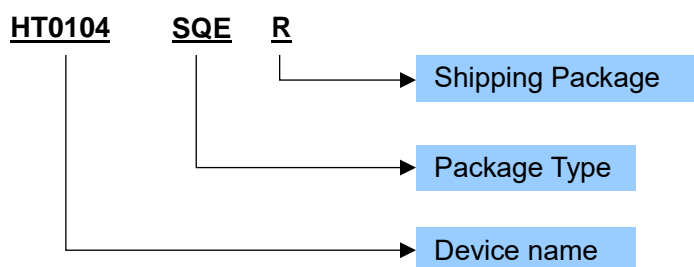
### TYPICAL APPLICATION



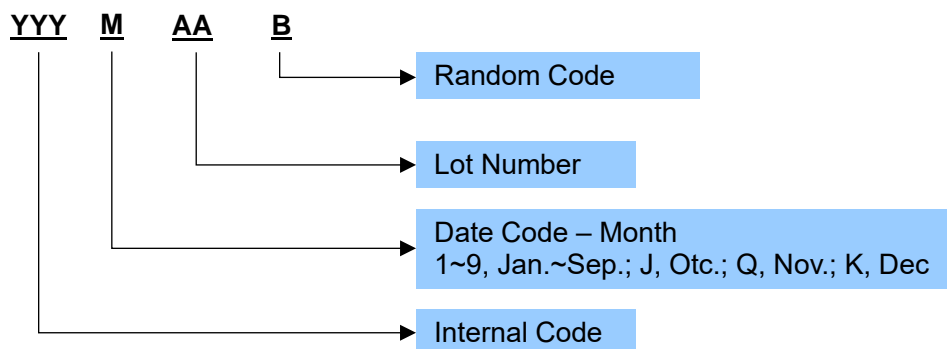
### ORDERING INFORMATION

Part Number	Package Type	Marking	Operating Temperature Range	Shipping Package / MOQ
HT0104SQER	QFN14L-3.5x3.5 (SQE)	HT0104 YYYMAAB <sup>1</sup>	-40°C~85°C	Tape and Reel / 5000pcs
HT0104MTNR	TSSOP14L (MTN)	HT0104 YYYMAAB	-40°C~85°C	Tape and Reel / 3000pcs
HT0102DNER	DFN1.5x1.0-8L (DNE)	0102C	-40°C~85°C	TBD

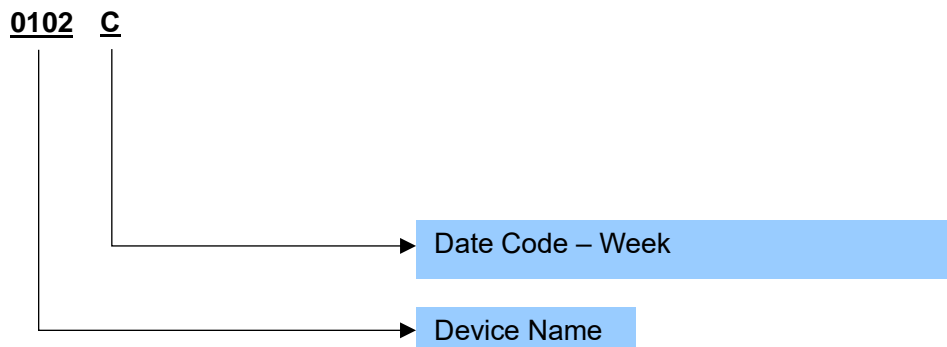
#### Part Number



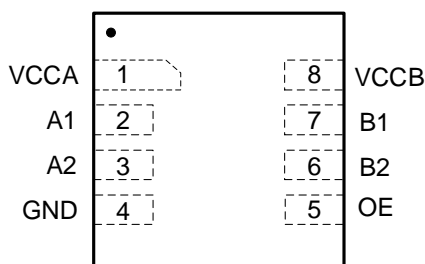
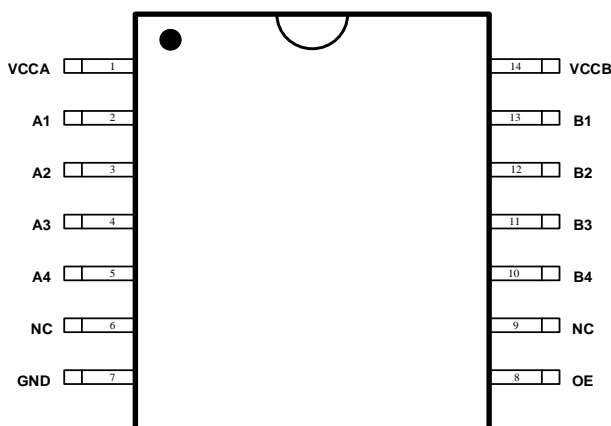
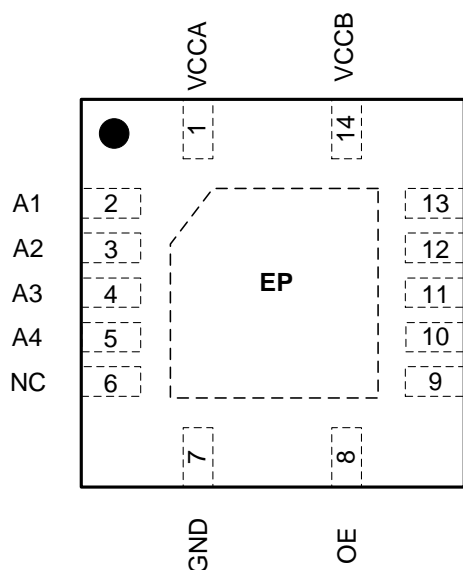
#### Production Tracking Code



#### Marking



<sup>1</sup> YYYMAAB is production tracking code  
Copyright©2023, Heroic Technology

**■ TERMINAL CONFIGURATION**


HT0102DNER Top View (DFN1.5x1.0-8L)

**■ TERMINAL FUNCTION**

Terminal No.			Name	I/O	Description
SQE	DNE	MTN			
1	1	1	VCCA	-	A port power supply, $1.65V \leq VCCA \leq 5.5V$ and $VCCA \leq VCCB$
2	2	2	A1	I/O	Input/Output A1, referenced to VCCA
3	3	3	A2	I/O	Input/Output A2, referenced to VCCA
4	--	4	A3	I/O	Input/Output A3, referenced to VCCA
5	--	5	A4	I/O	Input/Output A4, referenced to VCCA
6	--	6	NC	-	No connection
7	4	7	GND	-	Ground
8	5	8	OE	I	Pull OE low to place all outputs in Hi-Z.
9	--	9	NC	-	No connection
10	--	10	B4	I/O	Input/Output B4, referenced to VCCB
11	--	11	B3	I/O	Input/Output B3, referenced to VCCB
12	6	12	B2	I/O	Input/Output B2, referenced to VCCB
13	7	13	B1	I/O	Input/Output B1, referenced to VCCB
14	8	14	VCCB	-	B port power supply, $2.3V \leq VCCB \leq 5.5V$
EP	--	-	NC	-	No connection

**■ SPECIFICATIONS<sup>1</sup>**
**● Absolute Maximum Ratings<sup>2</sup>**

PARAMETER	Symbol	MIN	TYP	MAX	UNIT
Supply voltage range	VCCA	-0.5		6.5	V
Supply voltage range	VCCB	-0.5		6.5	V
Input voltage range <sup>3</sup> (A ports, B ports, OE)	V <sub>I</sub>	-0.5		6.5	V
Voltage range applied to any output in the high-impedance or power-off state	V <sub>O</sub>	-0.5		6.5	V
Voltage range applied to any output in the high or low state		-0.5		V <sub>CCx</sub> + 0.5	V
Input clamp current, V <sub>I</sub> < 0	I <sub>IK</sub>			- 50	mA
Output clamp current, V <sub>O</sub> < 0	I <sub>OK</sub>			-50	mA
Continuous output current	I <sub>O</sub>			±50	mA
Continuous current through VCCx or GND				±100	mA
Storage Temperature	T <sub>STG</sub>	-65		150	°C
Junction Temperature				150	°C
ESD (HBM)			2		kV
ESD (CDM)			1		kV

**● Recommended Operating Conditions**

Over operating free-air temperature range, unless otherwise specified.

PARAMETER	Symbol	CONDITION	MIN	TYP	MAX	UNIT
Power supply voltage	VCCA		1.65		5.5	V
Power supply voltage	VCCB		2.3		5.5	V
Input voltage	V <sub>I</sub>		0		5.5	V
High-level input voltage	V <sub>IH</sub>	A port, VCCA=1.65~1.95V VCCB = 2.3~5.5V	V <sub>CCI</sub> <sup>4</sup> - 0.2		V <sub>CCI</sub>	V
		A port, VCCA=2.3~5.5V VCCB = 2.3~5.5V	V <sub>CCI</sub> - 0.4		V <sub>CCI</sub>	V
		B port, VCCA=2.3~5.5V VCCB = 2.3~5.5V	V <sub>CCI</sub> - 0.4		V <sub>CCI</sub>	V
		OE, VCCA=2.3~5.5V VCCB = 2.3~5.5V	V <sub>CCA</sub> × 0.65		5.5	V
Low-level input voltage	V <sub>IL</sub>	A port, VCCA=2.3~5.5V VCCB = 2.3~5.5V	0		0.15	V
		B port, VCCA=2.3~5.5V VCCB = 2.3~5.5V	0		0.15	V
		OE, VCCA=2.3~5.5V VCCB = 2.3~5.5V	0		V <sub>CCA</sub> × 0.35	V
Input transition rise or fall rate	Δt/Δv	A port, push-pull			10	ns/V
		B port, push-pull			10	
		Control input			10	
Operating free-air temperature	T <sub>A</sub>		-40		85	°C

<sup>1</sup> Depending on parts and PCB layout, characteristics may be changed.

<sup>2</sup> Stresses beyond those listed under absolute maximum ratings may cause permanent damage to the device. These are stress ratings only, and functional operation of the device at these or any other conditions beyond those indicated under recommended operating conditions is not implied. Exposure to absolute-maximum-rated conditions for extended periods may affect device reliability.

<sup>3</sup> The input negative-voltage and output voltage ratings may be exceeded if the input and output current ratings are observed.

<sup>4</sup> V<sub>CCI</sub> is the supply voltage associated with the input port.

**● Electrical Characteristics**

Over operating free-air temperature range, unless otherwise specified.

PARAMETER	Symbol	CONDITION	MIN	TYP	MAX	UNIT
A ports output high voltage	$V_{OHA}$	$I_{OH} = -20 \mu A, V_{IB} \geq V_{CCB} - 0.4 V$	$V_{CCA} \times 0.8$			V
A ports output low voltage	$V_{OLA}$	$I_{OL} = 1mA, V_{IB} \leq 0.15V$			0.4	V
B ports output high voltage	$V_{OHB}$	$I_{OH} = -20 \mu A, V_{IB} \geq V_{CCB} - 0.2 V$	$V_{CCB} \times 0.8$			V
B ports output low voltage	$V_{OLB}$	$I_{OL} = 1mA, V_{IB} \leq 0.15V$			0.4	V
Input leakage current	$I_L$	$V_I = V_{CCI} \text{ or } GND$	-2		2	$\mu A$
High-impedance state output current	$I_{OZ}$	$OE = L$	-2		2	$\mu A$
Quiescent current of VCCA	$I_{CCA}$	$V_I = V_O = \text{Open}, I_O = 0, V_{CCA} = 1.65V \sim V_{CCB}, V_{CCB} = 2.3V \sim 5.5V$			2.4	$\mu A$
		$V_I = V_O = \text{Open}, I_O = 0, V_{CCA} = 3.6V, V_{CCB} = 0V$			2.2	$\mu A$
		$V_I = V_O = \text{Open}, I_O = 0, V_{CCA} = 0V, V_{CCB} = 5.5V$			-1	$\mu A$
Quiescent current of VCCB	$I_{CCB}$	$V_I = V_O = \text{Open}, I_O = 0, V_{CCA} = 1.65V \sim V_{CCB}, V_{CCB} = 2.3V \sim 5.5V$			12	$\mu A$
		$V_I = V_O = \text{Open}, I_O = 0, V_{CCA} = 3.6V, V_{CCB} = 0V$			-1	$\mu A$
		$V_I = V_O = \text{Open}, I_O = 0, V_{CCA} = 0V, V_{CCB} = 5.5V$			1	$\mu A$
Total quiescent current	$I_{CCA} + I_{CCB}$	$V_I = V_O = \text{Open}, I_O = 0$			14.4	$\mu A$
Input capacitance	$C_i$	$V_{CCA} = 3.3V, V_{CCB} = 3.3V$		2.5		pF
Input-to-output internal capacitance	$C_{IO}$	$V_{CCA} = 3.3V, V_{CCB} = 3.3V, A \text{ ports}$		5		pF
		$V_{CCA} = 3.3V, V_{CCB} = 3.3V, B \text{ ports}$		12		pF

**● Timing Requirements**

Ta = 25°C, unless otherwise specified

PARAMETER	Symbol	CONDITION	VCCB			UNIT
			2.5V	3.3V	5V	
VCCA = 1.8V						
Maximum Data Rate		Push Pull	24	24	24	Mbps
		Open Drain	2	2	2	Mbps
Minimum Pulse duration	$t_w$	Push Pull, data inputs	41	41	41	ns
		Open Drain, data inputs	500	500	500	ns
VCCA = 2.5V						
Maximum Data Rate		Push Pull	24	24	24	Mbps
		Open Drain	2	2	2	Mbps
Minimum Pulse duration	$t_w$	Push Pull, data inputs	41	41	41	ns
		Open Drain, data inputs	500	500	500	ns
VCCA = 3.3V						
Maximum Data Rate		Push Pull	24	24	24	Mbps
		Open Drain	2	2	2	Mbps
Minimum Pulse duration	$t_w$	Push Pull, data inputs	41	41	41	ns
		Open Drain, data inputs	500	500	500	ns

**● Switching Characteristics**

Ta = 25°C, unless otherwise specified.

PARAMETER	FROM (INPUT)	TO(OUTPUT)	VCCB	Condition	VCCA = 1.8V			UNIT
					MIN	TYP	MAX	
t <sub>PHL</sub>	A	B	5.0V	Push-pull	4.3			ns
				Open-drain	26.7			
			3.3V	Push-pull	3.0			
				Open-drain	26.3			
			2.5V	Push-pull	2.4			
				Open-drain	26			
t <sub>PLH</sub>	A	B	5.0V	Push-pull	3.5			ns
				Open-drain	110			
			3.3V	Push-pull	3.6			
				Open-drain	145			
			2.5V	Push-pull	4.0			
				Open-drain	175			
t <sub>PHL</sub>	B	A	5.0V	Push-pull	2.1			ns
				Open-drain	26.2			
			3.3V	Push-pull	1.9			
				Open-drain	26.1			
			2.5V	Push-pull	2.0			
				Open-drain	26			
t <sub>PLH</sub>	B	A	5.0V	Push-pull	1.4			ns
				Open-drain	51			
			3.3V	Push-pull	1.5			
				Open-drain	69			
			2.5V	Push-pull	1.7			
				Open-drain	133			
t <sub>EN</sub>	OE	A or B	5.0V	18			ns	
			3.3V	20				
			2.5V	24				
t <sub>DIS</sub>	OE	A or B	5.0V	1200			ns	
			3.3V	1200				
			2.5V	1200				
t <sub>rA</sub>	Port A rise time		5.0V	Push-pull	5.4			ns
				Open-drain	10			
			3.3V	Push-pull	5.8			
				Open-drain	31			
			2.5V	Push-pull	6.6			
				Open-drain	89			
t <sub>rB</sub>	Port B rise time		5.0V	Push-pull	3.9			ns
				Open-drain	58			
			3.3V	Push-pull	4.6			
				Open-drain	98			
			2.5V	Push-pull	5.6			
				Open-drain	128			
t <sub>fA</sub>	Port A fall time		5.0V	Push-pull	2.6			ns
				Open-drain	1.6			
			3.3V	Push-pull	2.7			
				Open-drain	1.7			
			2.5V	Push-pull	2.9			
				Open-drain				

			Open-drain	1.9	
t <sub>FB</sub>	Port B fall time	5.0V	Push-pull	8.0	ns
			Open-drain	2.9	
			3.3V	Push-pull	
		2.5V	Open-drain	2.3	
			Push-pull	4.6	
			Open-drain	2.3	
t <sub>SK</sub>	Channel to Channel skew time, output	5.0V		0.5	ns
		3.3V		0.5	
		2.5V		0.5	
	Maximum data rate	5.0V	Push-pull	24	Mbps
			Open-drain	2	
		3.3V	Push-pull	24	
			Open-drain	2	
		2.5V	Push-pull	24	
			Open-drain	2	

PARAMETER	FROM (INPUT)	TO(OUTPUT)	VCCB	Condition	VCCA = 2.5V			UNIT
					MIN	TYP	MAX	
t <sub>PHL</sub>	A	B	5.0V	Push-pull		4.8	ns	
				Open-drain		26.7		
			3.3V	Push-pull		3.3		
				Open-drain		26.4		
			2.5V	Push-pull		2.7		
				Open-drain		26.2		
t <sub>PLH</sub>	A	B	5.0V	Push-pull		2.3	ns	
				Open-drain		110		
			3.3V	Push-pull		2.4		
				Open-drain		144		
			2.5V	Push-pull		2.6		
				Open-drain		169		
t <sub>PHL</sub>	B	A	5.0V	Push-pull		2.4	ns	
				Open-drain		26.5		
			3.3V	Push-pull		2.3		
				Open-drain		26.4		
			2.5V	Push-pull		2.4		
				Open-drain		26.3		
t <sub>PLH</sub>	B	A	5.0V	Push-pull		1.8	ns	
				Open-drain		55		
			3.3V	Push-pull		1.9		
				Open-drain		118		
			2.5V	Push-pull		2.0		
				Open-drain		165		
t <sub>EN</sub>	OE	A or B	5.0V		16	ns		
			3.3V		19			
			2.5V		23			
t <sub>DIS</sub>	OE	A or B	5.0V		1200	ns		
			3.3V		1200			
			2.5V		1200			
t <sub>RA</sub>	Port A rise time		5.0V	Push-pull		2.6	ns	
				Open-drain		10		
			3.3V	Push-pull		2.8		

			Open-drain	70	
		2.5V	Push-pull	3.2	
			Open-drain	120	
t <sub>rB</sub>	Port B rise time	5.0V	Push-pull	2.6	ns
			Open-drain	62	
		3.3V	Push-pull	3.4	
			Open-drain	96	
		2.5V	Push-pull	4.5	
			Open-drain	122	
t <sub>rA</sub>	Port A fall time	5.0V	Push-pull	4.8	ns
			Open-drain	1.7	
		3.3V	Push-pull	5.0	
			Open-drain	1.9	
		2.5V	Push-pull	4.9	
			Open-drain	2.0	
t <sub>rB</sub>	Port B fall time	5.0V	Push-pull	8.3	ns
			Open-drain	2.7	
		3.3V	Push-pull	6.1	
			Open-drain	2.1	
		2.5V	Push-pull	4.8	
			Open-drain	1.9	
t <sub>sk</sub>	Channel to Channel skew time, output	5.0V		0.5	ns
		3.3V		0.5	
		2.5V		0.5	
	Maximum data rate	5.0V	Push-pull	24	Mbps
			Open-drain	2	
		3.3V	Push-pull	24	
			Open-drain	2	
		2.5V	Push-pull	24	
			Open-drain	2	

PARAMETER	FROM (INPUT)	TO(OUTPUT)	VCCB	Condition	VCCA = 3.3V			UNIT
					MIN	TYP	MAX	
t <sub>PHL</sub>	A	B	5.0V	Push-pull	4.9			ns
				Open-drain	26.7			
			3.3V	Push-pull	3.5			
				Open-drain	26.3			
t <sub>PLH</sub>	A	B	5.0V	Push-pull	2.0			ns
				Open-drain	104			
			3.3V	Push-pull	2.2			
				Open-drain	133			
t <sub>PHL</sub>	B	A	5.0V	Push-pull	3.2			ns
				Open-drain	26.8			
			3.3V	Push-pull	3.0			
				Open-drain	26.6			
t <sub>PLH</sub>	B	A	5.0V	Push-pull	1.7			ns
				Open-drain	83			
			3.3V	Push-pull	1.8			
				Open-drain	132			
t <sub>EN</sub>	OE	A or B	5.0V	15			ns	
			3.3V	18				
t <sub>DIS</sub>	OE	A or B	5.0V	1200			ns	



		3.3V		1200	
t <sub>rA</sub>	Port A rise time	5.0V	Push-pull	2.0	ns
			Open-drain	36	
		3.3V	Push-pull	2.2	
			Open-drain	87	
t <sub>rB</sub>	Port B rise time	5.0V	Push-pull	2.3	ns
			Open-drain	56	
		3.3V	Push-pull	2.9	
			Open-drain	87	
t <sub>rA</sub>	Port A fall time	5.0V	Push-pull	5.8	ns
			Open-drain	2.0	
		3.3V	Push-pull	6.2	
			Open-drain	2.3	
t <sub>rB</sub>	Port B fall time	5.0V	Push-pull	8.2	ns
			Open-drain	2.5	
		3.3V	Push-pull	6.5	
			Open-drain	2.0	
t <sub>sk</sub>	Channel to Channel skew time, output	5.0V		0.5	ns
		3.3V		0.5	
	Maximum data rate	5.0V	Push-pull	24	Mbps
			Open-drain	2	
		3.3V	Push-pull	24	
			Open-drain	2	

**Parameter Measurement Information**

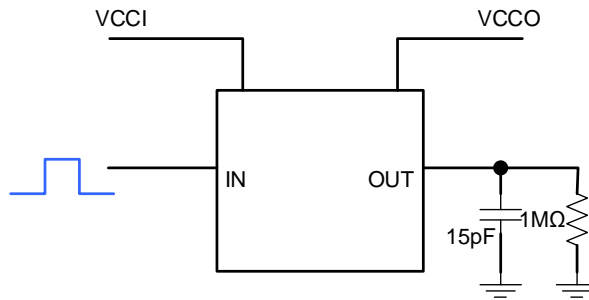


Figure 1 Data Rate, Pulse Duration, Propagation Delay, Output Rise and Fall Time Measurement  
Using a Push-pull Driver

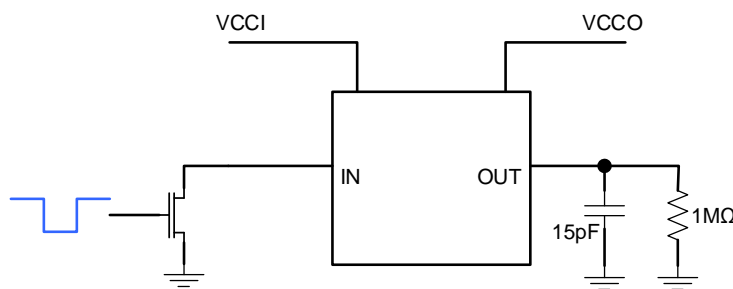


Figure 2 Data Rate, Pulse Duration ( $t_w$ ), Propagation Delay ( $t_{PHL}$ ,  $t_{PLH}$ ), Output Rise ( $t_r$ ) and Fall Time ( $t_f$ )  
Measurement  
Using an Open-Driver

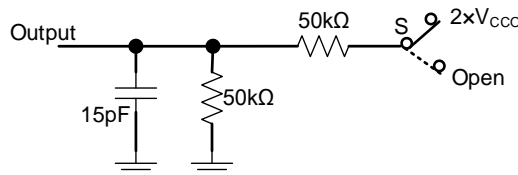


Figure 3 Load Circuit for Enable and Disable Time ( $t_{EN}$ ,  $t_{DIS}$ ) Measurement

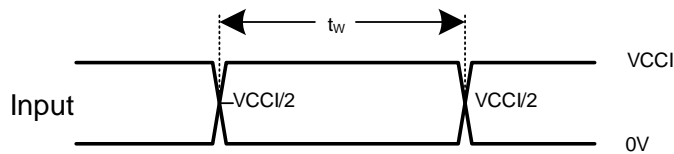


Figure 4 Pulse Duration

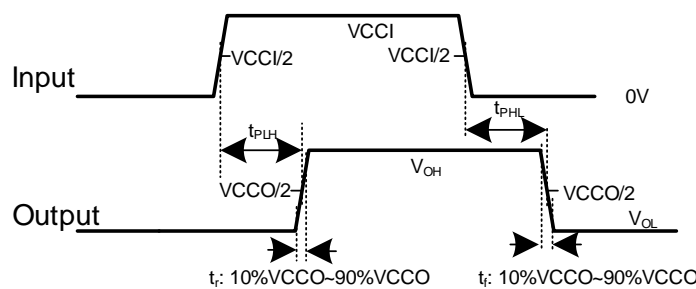


Figure 5 Propagation Delay Time, Output Rise and Fall Time

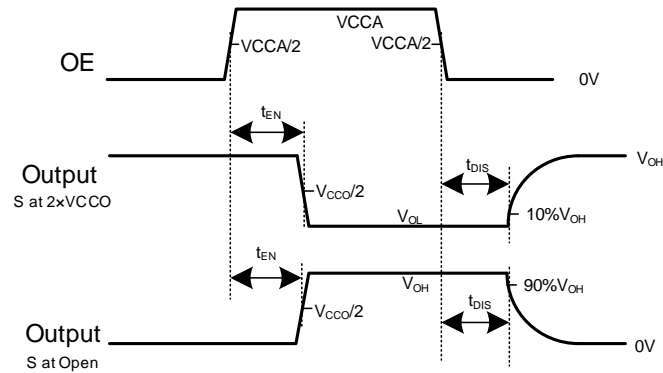


Figure 6 Enable and Disable Time

**NOTES:**

- A.  $C_L$  includes probe and jig capacitance.
- B. All input pulses are supplied by generators having the following characteristics: PRR < 10 MHz,  $Z_O = 50\Omega$ ,  $dv/dt > 1V/ns$ .
- C. The outputs are measured one at a time, with one input transition per measurement.
- D. All parameters and waveforms are not applicable to all devices.

## DETAILED DESCRIPTION

### 1 Overview

HT0102, HT0104 is a stereo and quad channel bidirectional translator with two separate power supply VCCA and VCCB. The low voltage signal present on A port with operating voltage from 1.65V to 5.5V referenced to VCCA, and the high voltage signal present on B port with operating voltage from 2.3V to 5.5V referenced to VCCB.

HT010x enters a low current consumption mode with all IOs places in Hi-Z, once the OE pin is pulled low.

### 2 Application and Implementation

HT010x is a bidirectional translator that can automatically detect the direction of data flow from port A to port B or from port B to port A. Therefore, each IO can be configured as input or output.

Each port A IO has an internal 10k ohm resistor pulled up to VCCA, and each port B IO has an internal 10k ohm resistor pulled up to VCCB. An external resistor can be added in parallel with the internal 10k ohm resistor to get a smaller value of pullup resistor.

The fall time ( $t_{fA}$ ,  $t_{fB}$ ), the high-to-low output delay time ( $t_{PHL}$ ) and the maximum data rates depend on the output impedance of the external device.

When powering up, either VCCA or VCCB can be ramped up first. However, during normal operation,  $VCCA \leq VCCB$  all the time.

Once OE terminal is pulled low, all IOs will be placed into Hi-Z.

HT0102, HT0104 是一款 2 路, 4 路双向电平转换器, 其使用两个独立的供电 VCCA 和 VCCB。电压较低的电平信号接入 A 端口, 支持 1.65V~5.5V 电压, 其对应 VCCA; 电压较高的电平信号接入 B 端口, 支持 2.3V~5.5V 电压, 其对应 VCCB。

当 OE 脚拉低时, HT010x 进入低功耗模式, 所用 IO 进入高阻状态。

HT010x 是一个双路电平转换器, 能够自动检测信号方向, 从端口 A 到端口 B, 或从端口 B 到端口 A。因此, 每个 IO 口均可作为输入或输出端口。

每个 A 端口均有一个内置 10k 欧姆的电阻上拉到 VCCA, 每个 B 端口均有一个内置 10k 欧姆的电阻上拉到 VCCB。当需要更小的上拉电阻时, 可在外部并联一个上拉电阻。

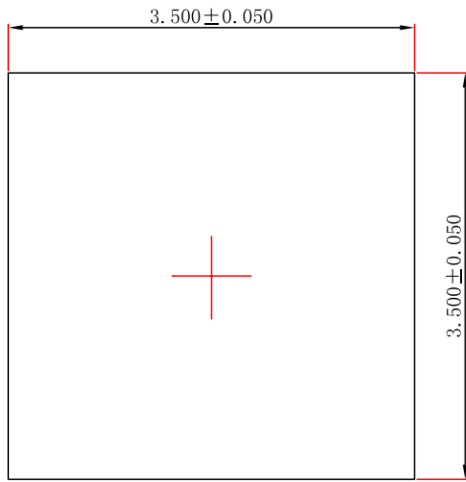
$t_{fA}$ ,  $t_{fB}$  和  $t_{PHL}$  取决于外部驱动器的输出阻抗。

上电时, VCCA 和 VCCB 无需时序要求, VCCA 或 VCCB 均可优先斜升。但是在正常工作过程中, 需  $VCCA \leq VCCB$ 。

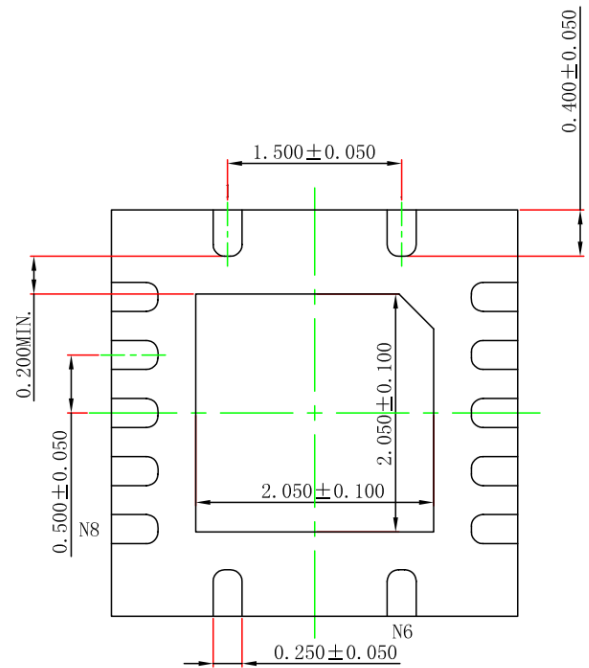
OE 脚拉低时, 所有 IO 进入高阻状态。

■ **PACKAGE OUTLINE**

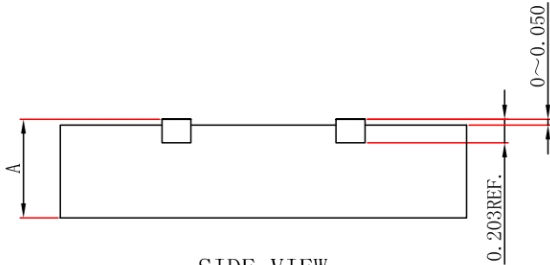
SQE (QFN14L-3.5x3.5), Dimensions in Millimeters



TOP VIEW  
[顶视图]



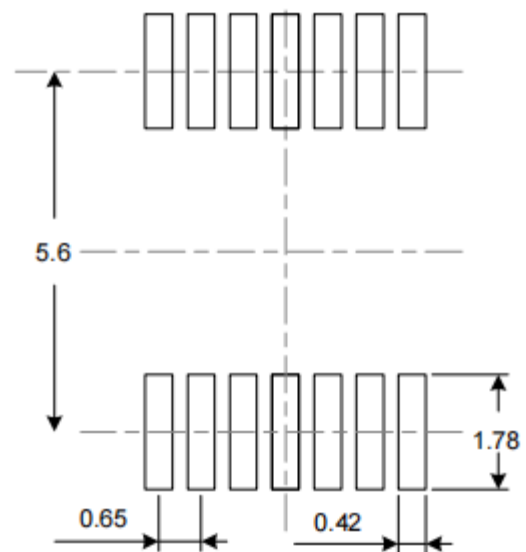
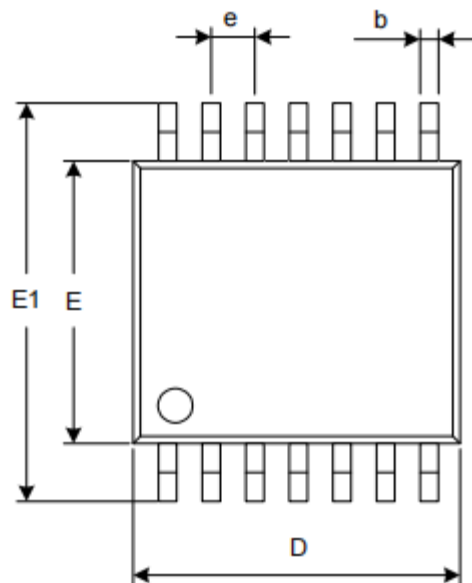
BOTTOM VIEW  
[背视图]



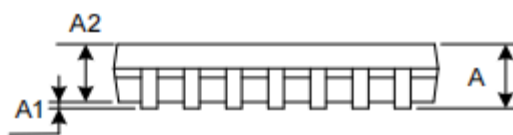
SIDE VIEW  
[侧视图]

Symbol	Dimensions in Millimeters		
	Min.	Typ.	Max.
A	0.700	0.750	0.800

MTN(TSSOP14)

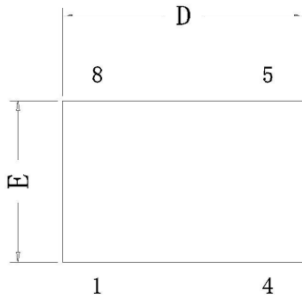


RECOMMENDED LAND PATTERN (Unit: mm)

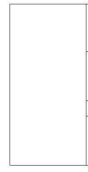


Symbol	Dimensions In Millimeters		Dimensions In Inches	
	Min	Max	Min	Max
A		1.200		0.047
A1	0.050	0.150	0.002	0.006
A2	0.800	1.050	0.031	0.041
b	0.190	0.300	0.007	0.012
c	0.090	0.200	0.004	0.008
D	4.860	5.100	0.191	0.201
E	4.300	4.500	0.169	0.177
E1	6.250	6.550	0.246	0.258
e	0.650(BSC)		0.026(BSC)	
L	0.500	0.700	0.020	0.028
H	0.250(TYP)		0.010(TYP)	
$\theta$	1°	7°	1°	7°

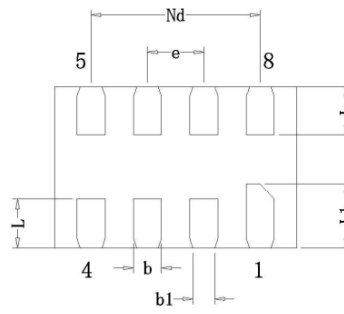
**DNE (DFN1.5×1.0-8L)**



Top View

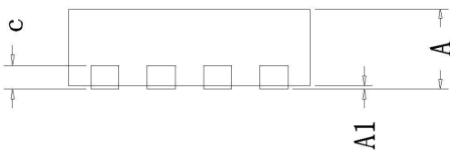


Side View

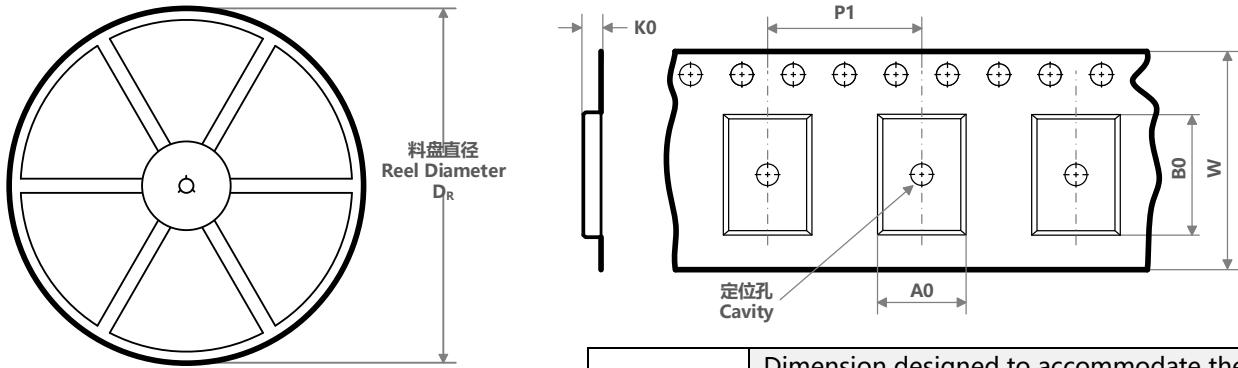


Bottom View

SYMBOL	MILLIMETER		
	MIN	NOM	MAX
A	0.425	0.475	0.525
A1	—	0.02	0.05
b	0.125	0.175	0.225
b1	0.085	0.135	0.185
c	0.127 REF		
D	1.40	1.50	1.60
Nd	1.05 BSC		
e	0.35 BSC		
E	0.90	1.00	1.10
L	0.25	0.30	0.35
L1	0.35	0.40	0.45

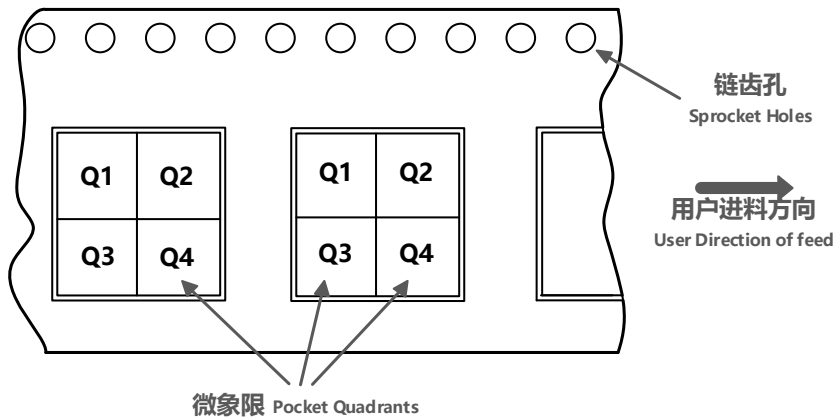


TAPE AND REEL INFORMATION



<b>A0</b>	Dimension designed to accommodate the component width; 料槽宽度
<b>B0</b>	Dimension designed to accommodate the component length; 料槽长度
<b>K0</b>	Dimension designed to accommodate the component thickness; 料槽厚度
<b>W</b>	Overall width of the carrier tape; 载带整体宽度
<b>P1</b>	Pitch between successive cavity centers; 相邻槽中心间距

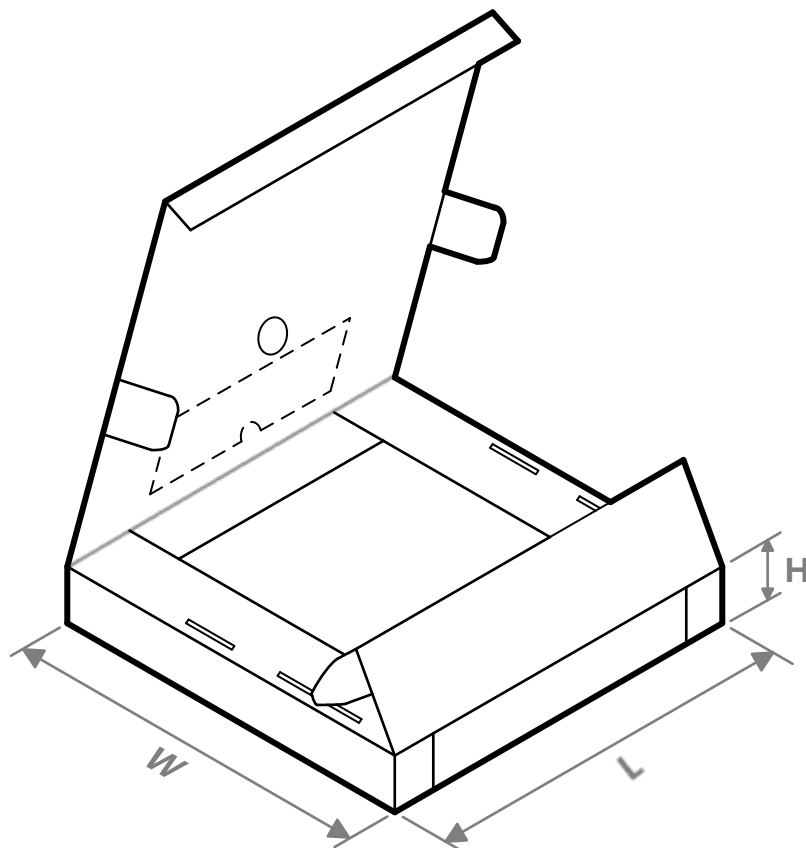
编带 PIN1 方位象限分配  
Quadrant Assignments for Pin1 Orientation in Tape



器件料号 Part No.	封装类型 Package Type	封装标识 Package Abbr.	引脚数 Pins	SPQ	料盘直径 D <sub>R</sub> (mm)	料盘宽度 W1 (mm)	A0 (mm)	B0 (mm)	K0 (mm)	P1 (mm)	W (mm)	Pin1 象限 Quadrant
HT0104SQER	QFN3.5×3.5	SQE	14	5000	330	12	3.65	3.65	1.1	8	12	Q1
HT0104MTNR	TSSOP	MTN	14	3000	TBD	TBD	TBD	TBD	TBD	TBD	TBD	TBD
HT0102DNER	DFN1.5×1.0	DNE	8	TBD	TBD	TBD	TBD	TBD	TBD	TBD	TBD	TBD



■ TAPE AND REEL BOX INFORMATION



器件料号 Part No.	封装类型 Package Type	封装标识 Package Abbr.	引脚数 Pins	SPQ	长度 Length (mm)	宽度 Width (mm)	高度 Height (mm)
HT0104SQER	QFN3.5×3.5	SQE	14	5000	360	345	65
HT0104MTNR	TSSOP	MTN	14	TBD	TBD	TBD	TBD
HT0102DNER	DFN1.5×1.0	DNE	8	TBD	TBD	TBD	TBD

**IMPORTANT NOTICE****注意**

Heroic Electronic Technology (Jiaxing) Co., Ltd (HT) reserves the right to make corrections, modifications, enhancements, improvements, and other changes to its products and services at any time and to discontinue any products or services. Customers should obtain the latest relevant information before placing orders and should verify that such information is current and complete.

禾润电子科技（嘉兴）股份有限公司（以下简称HT）保留对产品、服务、文档的任何修改、更正、提高、改善和其他改变，或停止提供任何产品和服务的权利。客户在下单和生产前应确保所得到的信息是最新、最完整的。

HT assumes no liability for applications assistance or customer product design. Customers are responsible for their products and applications using HT components.

HT对相关应用的说明和协助以及客户产品的板级设计不承担任何责任。

HT products are not authorized for use in safety-critical applications (such as life support devices or systems) where a failure of the HT product would reasonably be expected to affect the safety or effectiveness of that devices or systems.

HT的产品并未授权用于诸如生命维持设备等安全性极高的应用中。

The information included herein is believed to be accurate and reliable. However, HT assumes no responsibility for its use; nor for any infringement of patents or other rights of third parties which may result from its use.

本文中的相关信息是精确和可靠的，但HT并不对其负责，也不对任何可能的专利和第三方权利的侵害负责。

Following are URLs and contacts where you can obtain information or supports on any HT products and application solutions:

下面是可以联系到我公司的相关链接和联系方式：

**禾润电子科技（嘉兴）股份有限公司**  
**Heroic Electronic Technology (Jiaxing) Co., Ltd.**

地址：浙江省嘉兴市凌公塘路3339号JRC大厦A座三层

Add: A 3rd floor, JRC Building, No. 3339, LingGongTang Road, Jiaxing, Zhejiang Province

Sales: 0573-82585539, sales@heroic.com.cn

Support: 0573-82586151, support@heroic.com.cn

Fax: 0573-82585078

Website: www.heroic.com.cn; wap.heroic.com.cn

Wechat MP: HEROIC\_JX

请及时关注禾润官方微信公众号，随时获取最新产品信息和技术资料！

